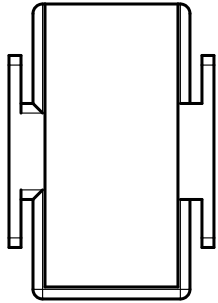


2

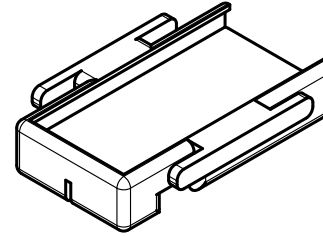
1

B

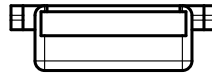
B



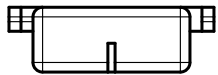
Top



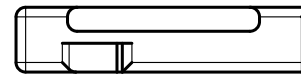
Isometric



Front



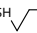

Back



Side

A

A

UNLESS OTHERWISE SPECIFIED, DIMENSIONS ARE IN INCHES .XX = ±.0- .XXX = ±.00- .XXXX = ±.000- SURFACE FINISH 		NAME	DATE	TITLE <h3 style="text-align: center;">Diver Station Holder</h3>		
	DRAWN	DREW BUSCH	02/19/2019			
	CHECKED	Mark Hazen	2/19/19			
	APPROVED	Kristi Hazen	2/19/19	SIZE	DWG NO.	REV.
DO NOT SCALE DRAWING				5		
BREAK ALL SHARP EDGES AND REMOVE BURRS						
THIRD ANGLE PROJECTION	MATERIAL	FINISH		SCALE	WEIGHT	SHEET
				1:4		1 of 2

2

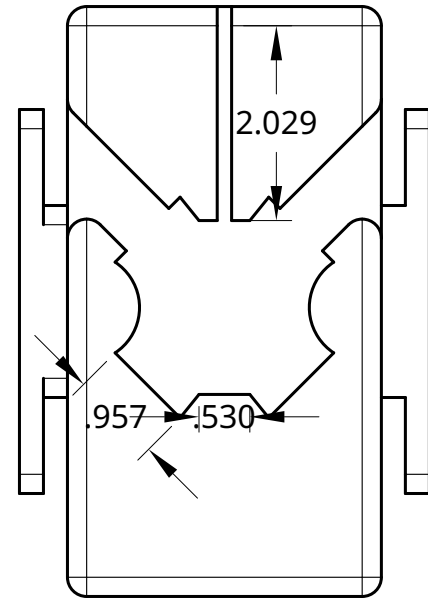
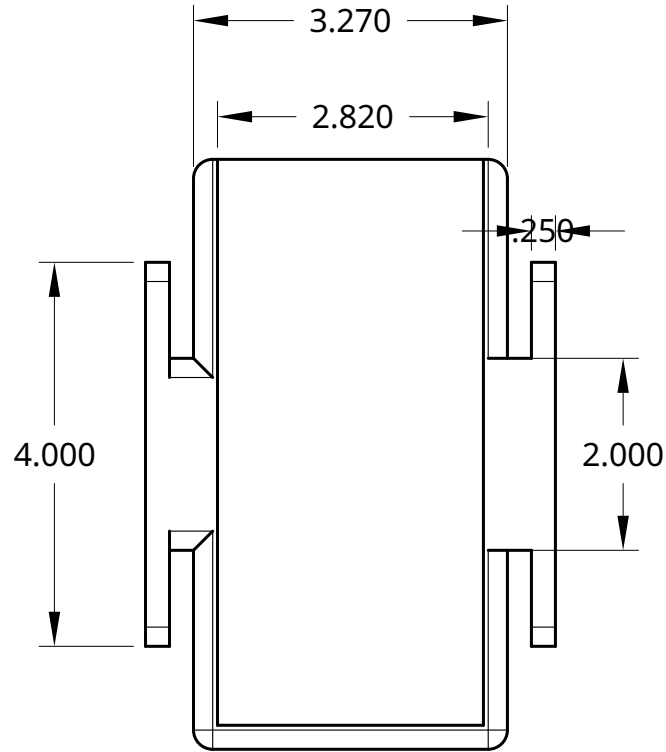
1

2

1

B

B



A

A

2

1

DWG NO.	5	SIZE	SCALE	1:2	SHEET	2 of 2	REV.
---------	---	------	-------	-----	-------	--------	------